

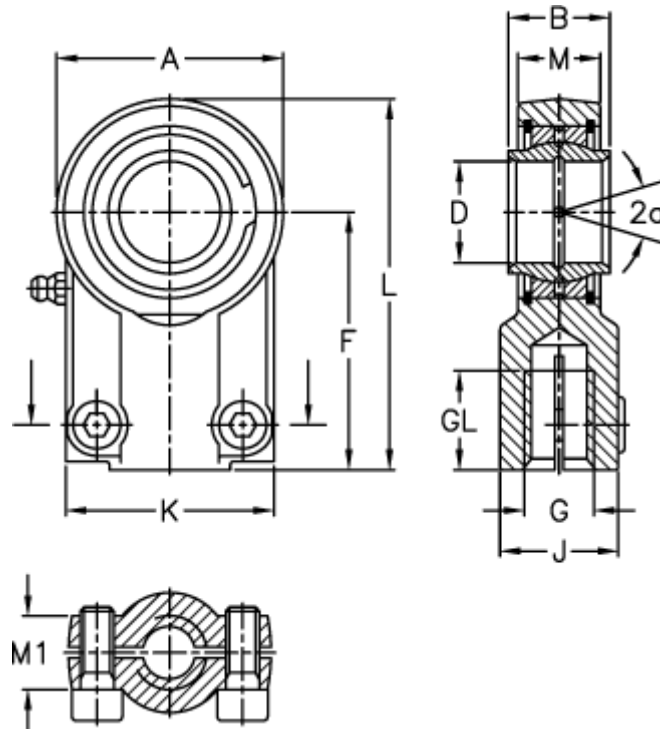
# Data Sheet



Article number: 03551125

Description: Fluro hydraulic rod end FPR 125CE

## Measures



A	= 263.5	J	= 135
a (degrees)	= 4	K	= 200
B	= 125	L	= 405.7
D	= 125	M	= 103
Dynamic load C (kN)	= 950	M1	= 72
F	= 260	Static load C0 (kN)	= 1430
g	= M100x3	Torque (N m)	= 710
GL	= 113	Weight	= 46400